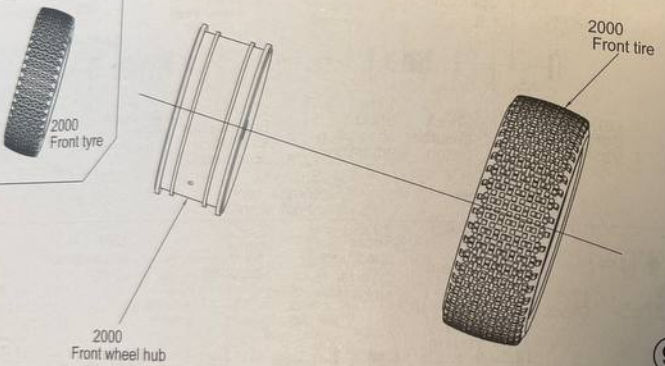
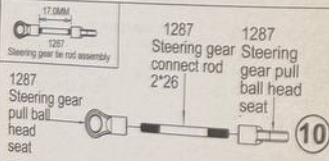


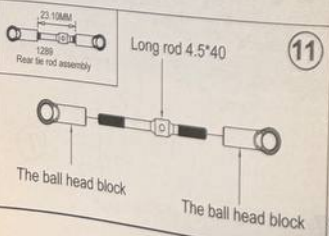
8



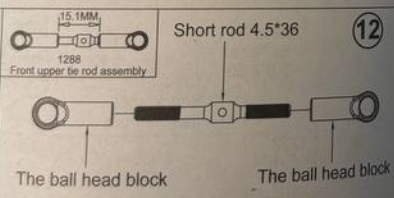
9



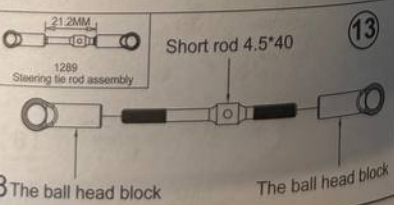
10



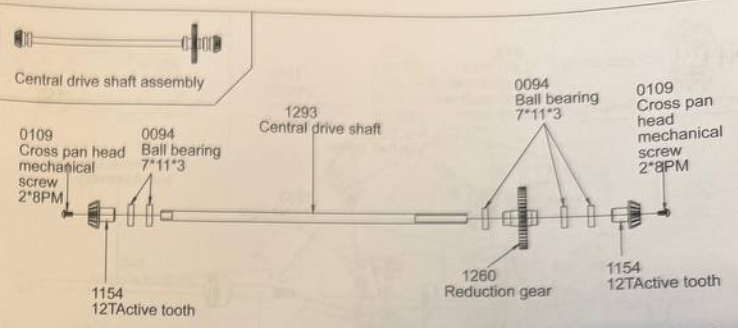
11



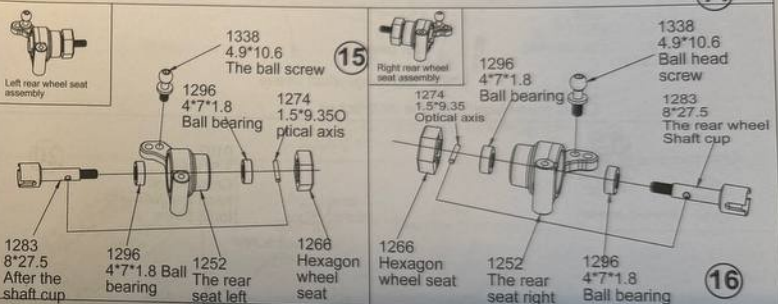
12



13

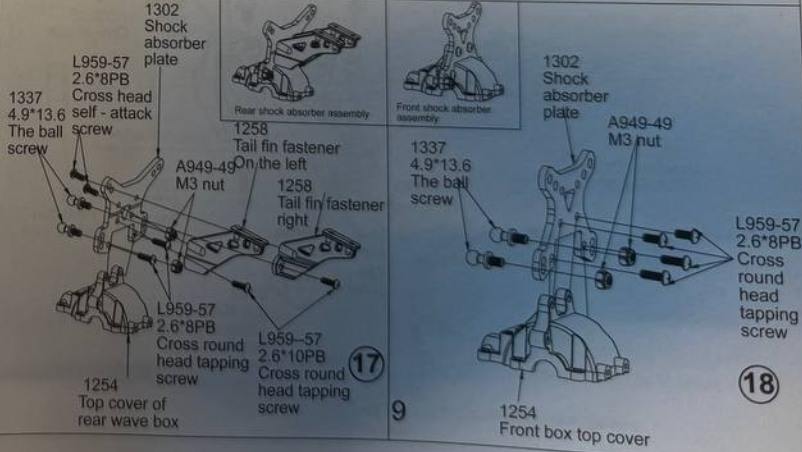


14



15

16

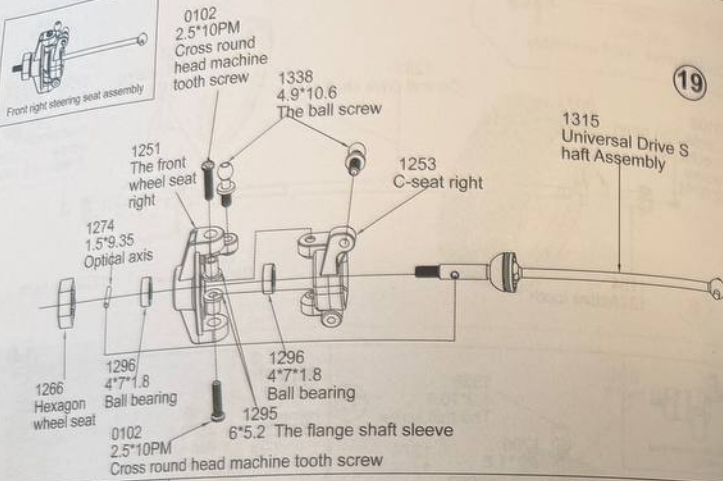


17

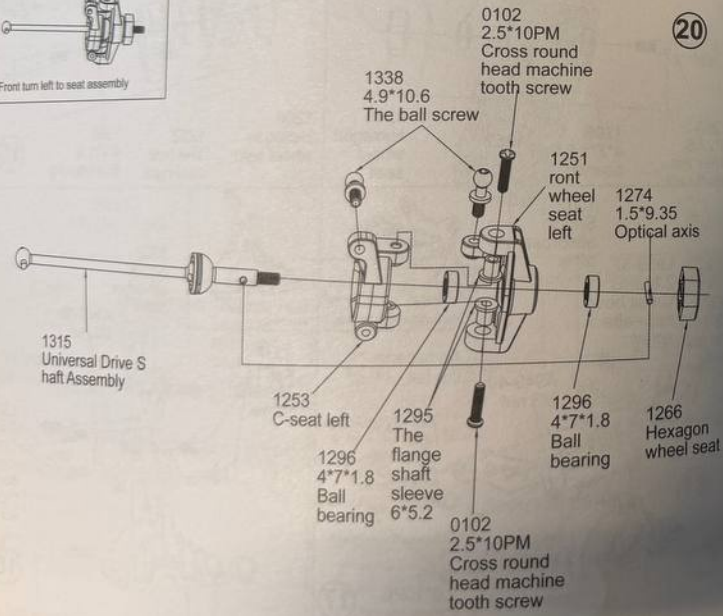
18



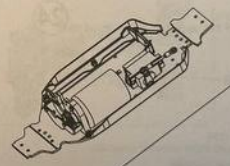
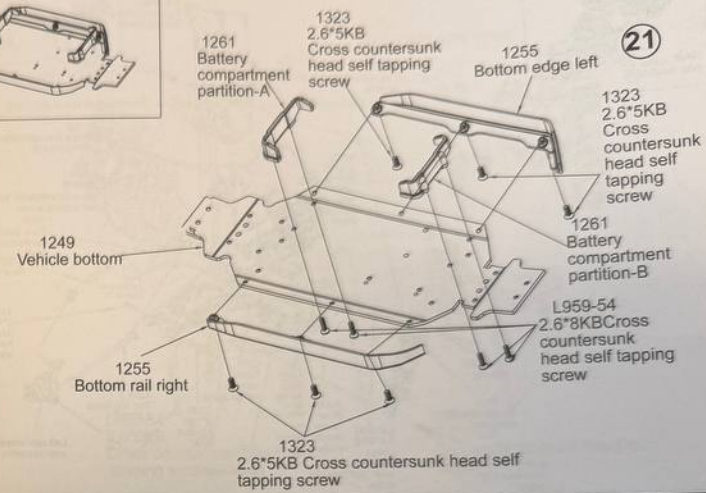
Front right steering seat assembly



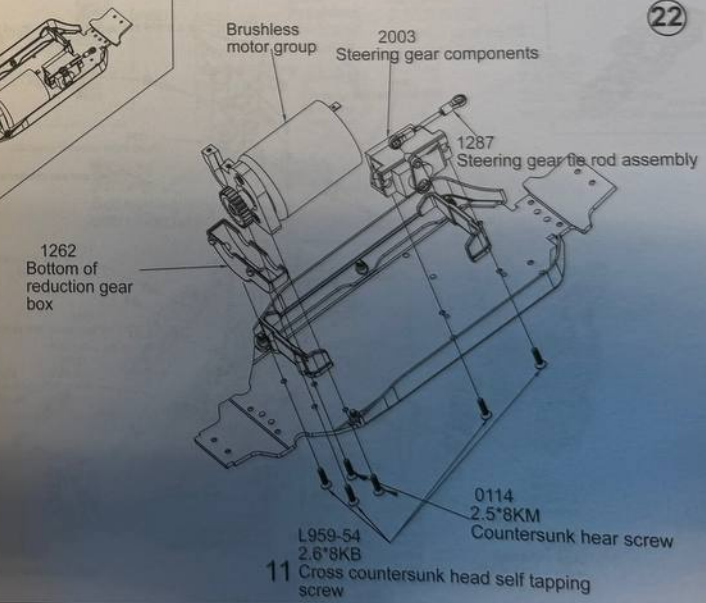
Front turn left to seat assembly

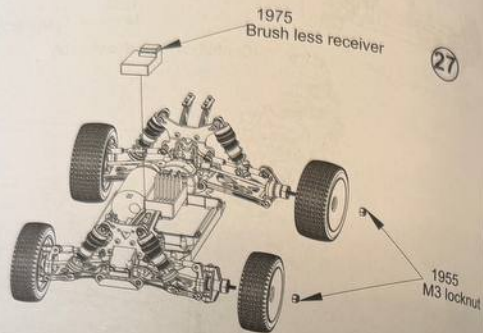
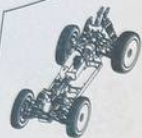


Battery compartment partition-A

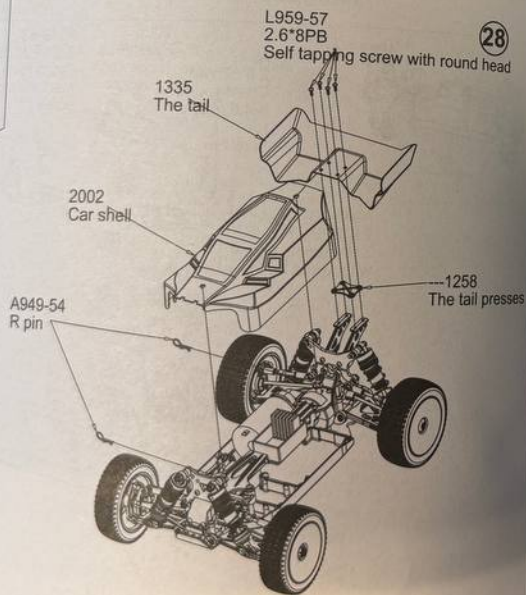


Brushless motor group





27



28

Sale parts view



0066
12*5.2*.02
Stainless steel gasket



0073
Planet gear axis



0098
M3*3 Include screw



0102
2.5*10PM
Cross round head screw



0114
2.5*8KM Cross
countersunk head screw



0117
3*8KM Cross
countersunk head screw



1374
USB Charger



0256
3*12PM
Cross round head screw



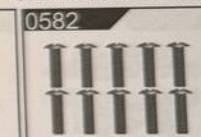
2493
V8-104018
Remote controller



0422
2*6KM Cross
countersunk head screw



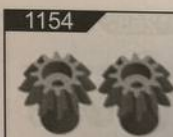
0553
2*6PB
self tapping screw
with round head



0582
ST2*7PB screw
assembly



1153
30T Differential
large Teeth (Hardware)



1154
12T Active Teeth
(Hardware) Grou



1155
24t differential gear
(hardware) group



1249
Chassis Plate



1250
Front and rear arms



1251
Front seat
assembly



1252
Rear seat assembly



1253
C-seat assembly

Sale parts view

1254



Wave box upper and lower cover group

1255



Left and right sides

1256



Support piece as-ball head

1257



Collision avoidance parts group

1258



Tail firmware Wing group

1259



Two floor group

1260



Gear reducer geerd

1261



Battery holder

1262



Reduction gearbox

1263



Rocker arm of steering gear

1264



Motor seat pressure piece

1265



Steering gear base

1266



hub drive hex

1267



Front and rear swing arm shaft sleeve

1268



Steering clutch group

2000



Front tire

2001



Rear tire

1271



10T Differential Astero Teeth (Hardware) Group

1273



Shock absorber spring

1274



1.5*9.35 universal shaft group

Sale parts view

1275



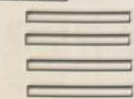
1*9 Optic axis

1276



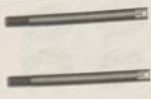
2.5*40 Optic axis

1277



2 * 26 Optic axis

1278



Shock absorber shaft component

1279



Buffer spring assembly

1281



Dog bone assembly

1282



universal shaft assembly

1283



Rear Wheel Cup Component

1284



Front Wheel axis Component

1285



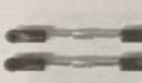
Cross shaft assembly

1286



Universal cup spring assembly

1287



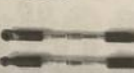
Steering gear lever assembly

1288



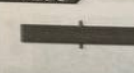
Short pull bar assembly

1289



Long pull bar assembly

1290



Steering column assembly

1291



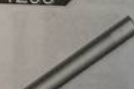
Steering column sleeve component

1292



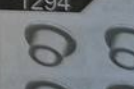
Ball head group

1293



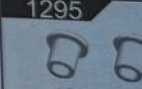
Central Transmission Axis Component

1294



6*2.7 Flange axis sleeve

1295



6*5.2 Flange axis sleeve

Sale parts view

1296



4*7*1.8
Ball bearing set

1298



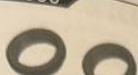
Cylinder as-shock
absorber

1299



Shockproof hat group

1300



Adjusting ring group

1301



Spring seat

1302



Shock absorber plate group

2006



Motor seat

1304



Steering linkage

1305



Front swing arm
reinforcement

1306



Rear swing arm
reinforcement

2003



Brush less
steering gear

2004



Brushless motor

1309



Differential

2005



Brushless
electronic governor

1314



O-ring as-shock

1315



Universal drive shaft

1316



Shock absorber

1323



2.6*5KB
Countersunk head
tapping screw

2002



Car shell
components

A949-29



Heat sink

Sale parts view

1337



4.9*13.6
Ball head screw set

1338



4.9*10.6
Ball head screw set

A202-04



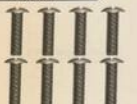
4.0*9.5
Ball head screw set

A202-15



2*8KB Cross
countersunk head screw set

1389



3*20PM Cross round head
machine tooth

A919-86



Machine screw set

A949-22



Velcro

A949-35



7*11*3
Ball bearing

A949-38



2.6*6PB Round head self
tapping screw

A949-43



M2.5*6*6
Round head belt screw

A949-49



M3 Nut

A959-B-15



Motor gear

A959-B-23



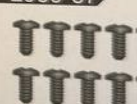
Battery

L959-54



2.6*8KB
Countersunk head
tapping screw

L959-57



2.6*8PB
Round head self
tapping screw

L959-58



ST2.6*10 PB
screwassembly

1452



M3 flange nut

1389



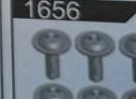
3 * 20pm Cross
round head
machine screw

1453



2*4PWM5
Cross round head
machine screw

1656



2.5*8PWM6
Cross round head
machine screw

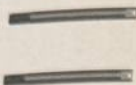
Sale parts view

1935



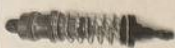
Front shock
block group

1936



Front shock
absorber axis group

1939



Front shock mount

K939-49



1.0*18
R Type Pin

1280



Cup as-differential

1955



M3 flange lock nut

1975



Brush less receiver

1989



Zinc alloy cross
sleeve group

2159



2.5*47.5PM
D6 screw set

0118



M2.5 Nut